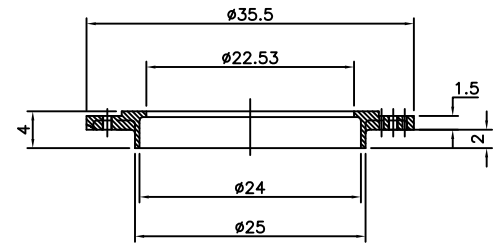
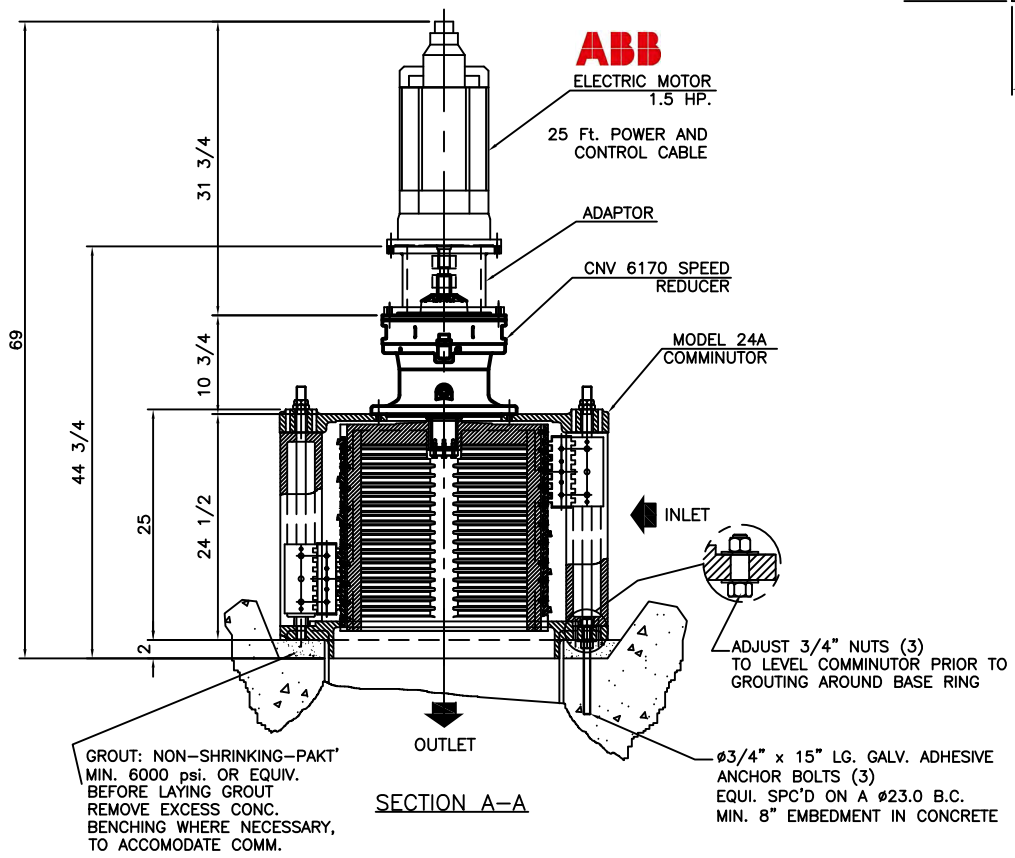


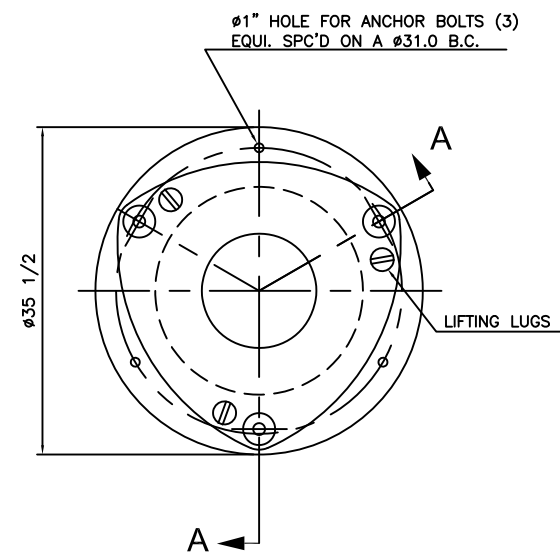
**MODEL 24ASX**  
**SUBMERSIBLE**  
**EXPLOSION PROOF**  
 SERIAL No.                     



BASE RING DETAIL



SECTION A-A



TOP VIEW OF COMMUNOTOR  
 (CLOCKWISE ROTATION)

**MATERIALS OF CONSTRUCTION & GENERAL ENGINEERING DATA**

HOUSING:	GREY IRON	CAPACITY:	10 MGD (US) / 37800 m3/day	INLET AREA:	526 SQ. IN. 3393 cm sq.
DRUM (SCREEN):	DUCTILE IRON (ASTM 536 GRADE 60-45-18)	DRUM SPEED:	30 RPM	OUTLET AREA:	324 SQ. IN. 2090 cm sq.
SHEAR BARS:	AISI-A2 HIGH ALLOY TOOL STEEL	ROTATION:	CLOCKWISE	DRUM DIAMETER:	22.5 IN. 572 cm
CUTTING BARS:	AISI-01 TOOL STEEL REVERSIBLE	SLOT WIDTH:	.470 IN / 12 mm	WEIGHT:	1265 LBS 574 kg
HARDWARE & FASTENERS:	304 STAINLESS STEEL	NO. OF SLOTS:	76		
MOTOR MANUFACTURER:	ABB	POWER:	- / - /	RPM:	1750
STYLE:	SUB XP C-1-A	HP:	1.5	KW:	1.12
		FRAME:	180 TY	FLANGE:	180 TY
				RATIO:	59:1
				REDUCER:	SM-CYCLO
				MODEL:	V6170
				RATING:	11.1 HP

**G.E.T. INDUSTRIES INC.**  
 get@grindhog.com  
 www.grindhog.com  
 1 (877) 213-7418

TOLERANCES	MODEL 24ASX DIMENSIONAL DETAIL	SCALE	
DECIMAL		NTS	
FRACTIONAL		DRAWN BY G.P.	
ANGULAR		APPROVED BY W.D.M.	
DATE	FILE NO.	DWG NO.	REVISION
OCT. 2015	-	6 0270	



# Grind Hog<sup>TM</sup>

**MODEL 24ASX**

**5 Mile Pump Station  
Harborcreek Township Sewer Authority  
Erie County, PA**

**Replacing  
Smith & Loveless  
25RM**



Harborcreek Township

in Erie County, PA

**GRIND HOG™ CONTROL PANEL**  
Installed with 25'  
Power Control Cable



**GRIND HOG™ 24ASX**  
Replaced Existing  
Smith & Loveless 25RM



**G.E.T. INDUSTRIES INC.**

Toll Free: (877) 213-7418  
E-mail: [get@grindhog.com](mailto:get@grindhog.com) ♦ Web: [www.grindhog.com](http://www.grindhog.com)